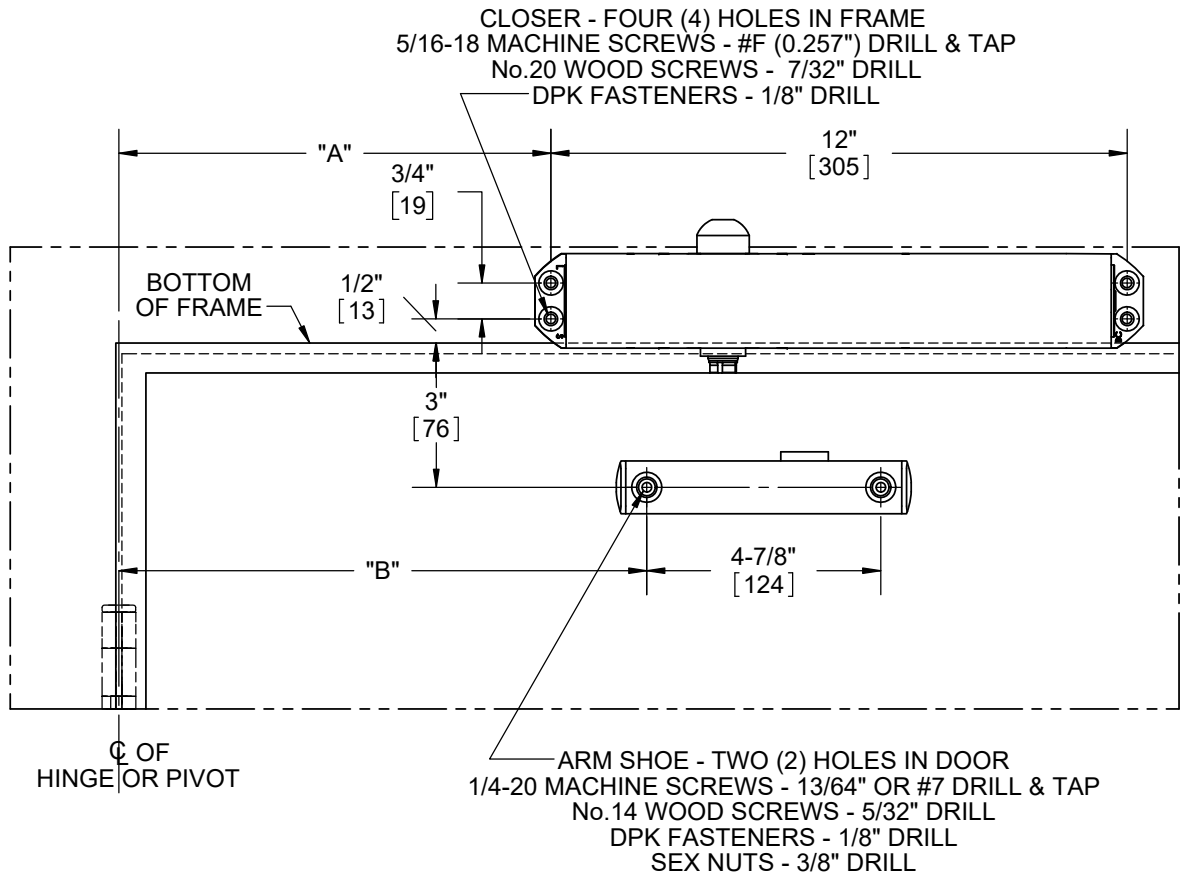


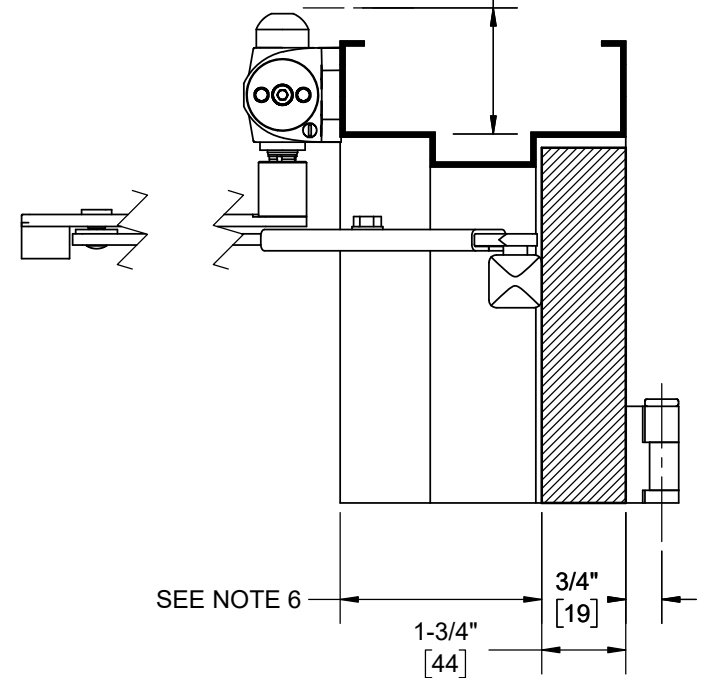
NOTES:

- 1) DO NOT SCALE THIS DRAWING
- 2) DIMENSIONS ARE IN INCHES / [MM]
- 3) RIGHT HAND DOOR IS SHOWN
- 4) CAUTION: SEX NUTS ARE REQUIRED FOR ATTACHMENT OF COMPONENTS TO UNREINFORCED DOORS AND TO WOOD OR PLASTIC FACE COMPOSITE TYPE FIRE DOORS, UNLESS AN ALTERNATIVE METHOD IS IDENTIFIED IN THE INDIVIDUAL DOOR MANUFACTURER'S LISTINGS.
- 5) OPTIONAL DPK FASTENERS (DPK86) FOR STEEL DOOR & FRAME ONLY
- 6) SEE CATALOG FOR REVEAL INFORMATION

ANGLE OF CUSHION	DIMENSION "A" (CLOSER)	DIMENSION "B" (ARM SHOE)
83° - 85°	9" [229]	11-1/2" [292]
88° - 90°	8-3/8" [213]	10-7/8" [276]
98° - 100°	7-1/2" [191]	10" [254]
108° - 110°	6-7/8" [175]	9-3/8" [238]



2-5/8" MIN. CEILING HEIGHT
 [67]



DOOR CLOSER MODELS: 8600 SISJ
 SPRING INTEGRA STOP TOP JAMB INSTALLATION
 PUSH SIDE MOUNT

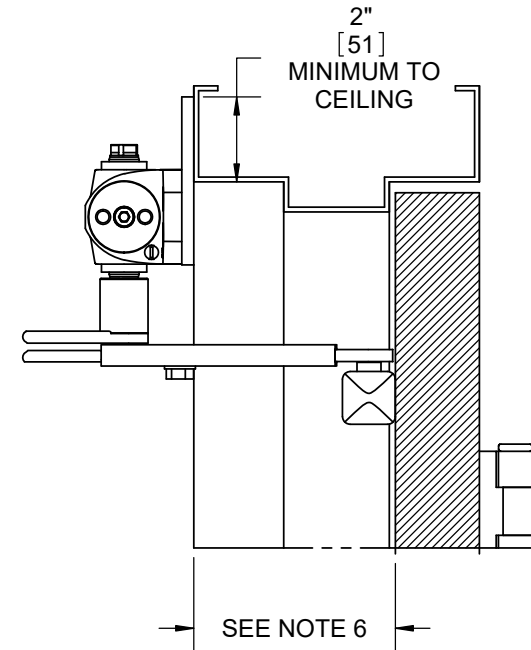
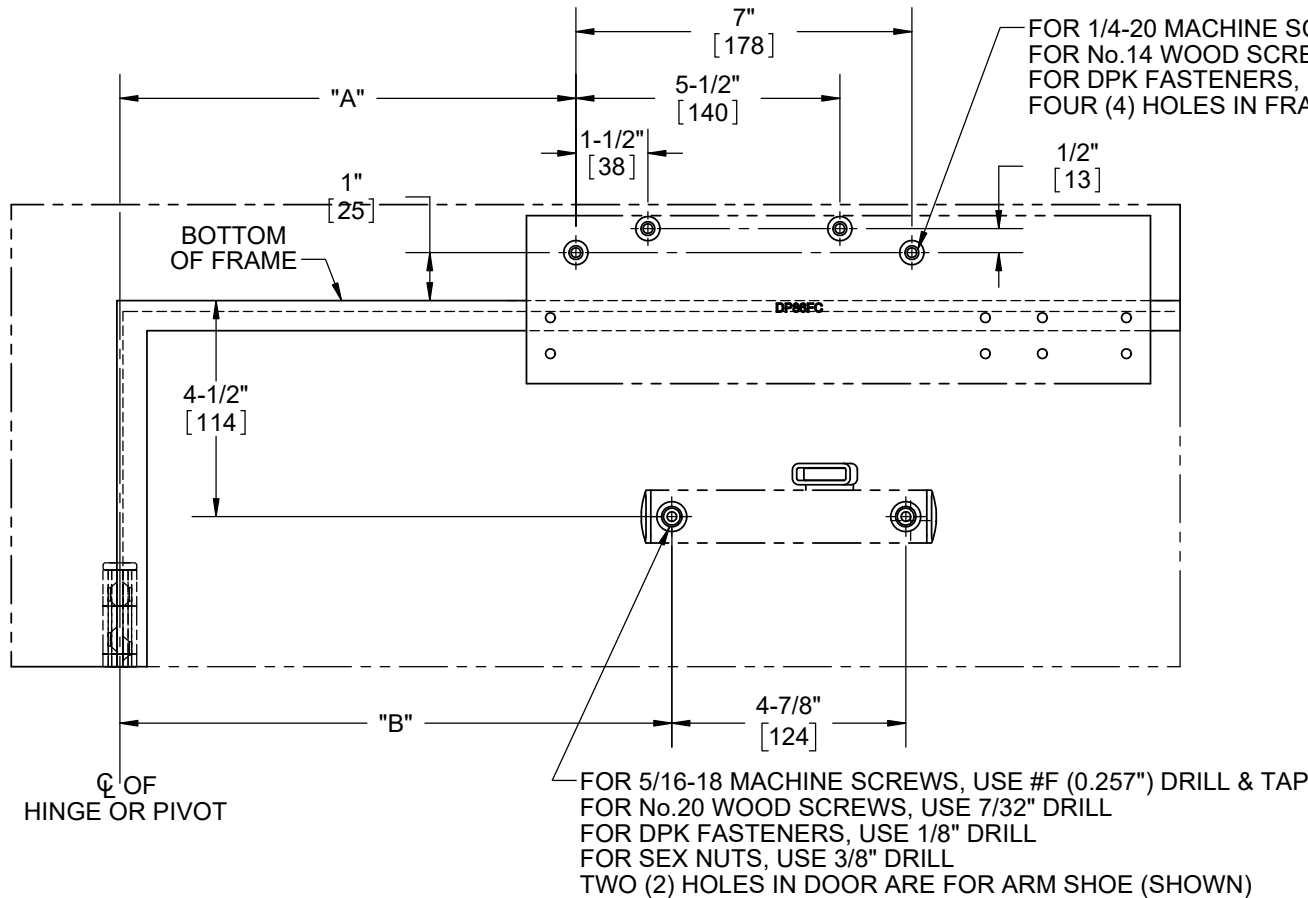


dormakaba USA Inc
 DORMA DRIVE
 REAMSTOWN,
 PA 17567
 800 523 8483

NOTES:

- 1) DO NOT SCALE THIS DRAWING
- 2) DIMENSIONS ARE IN INCHES / [MM]
- 3) RIGHT HAND DOOR IS SHOWN
- 4) CAUTION: SEX NUTS ARE REQUIRED FOR ATTACHMENT OF COMPONENTS TO UNREINFORCED DOORS AND TO WOOD OR PLASTIC FACE COMPOSITE TYPE FIRE DOORS, UNLESS AN ALTERNATIVE METHOD IS IDENTIFIED IN THE INDIVIDUAL DOOR MANUFACTURER'S LISTINGS.
- 5) OPTIONAL DPK FASTENERS (DPK86) FOR STEEL DOOR & FRAME ONLY
- 6) SEE CATALOG FOR REVEAL INFORMATION

ANGLE OF CUSHION	DIMENSION "A" (DROP PLATE)	DIMENSION "B" (ARM SHOE)
83° - 85°	9-1/2" [241]	11-1/2" [292]
88° - 90°	8-7/8" [225]	10-7/8" [276]
98° - 100°	8" [203]	10" [254]
108° - 110°	7-3/8" [187]	9-3/8" [238]



DOOR CLOSER MODELS: 8616 SISJ
 TOB JAMB INSTALLATION (PUSH SIDE MOUNT)
 WITH BACK PLATE DP86
 SPRING INTEGRA CUSHION ARM

dormakaba

dormakaba USA Inc
 DORMA DRIVE
 REAMSTOWN,
 PA 17567
 800 523 8483